

# QCX-MRB-086-1

## MMCX Male Right Angle

Features:  
\* Low VSWR

Applications:  
\* Wireless  
\* Radar  
\* Instruments  
\* Electronics



### Electrical

Frequency: DC~6GHz  
VSWR: 1.25 max.

### Mechanical

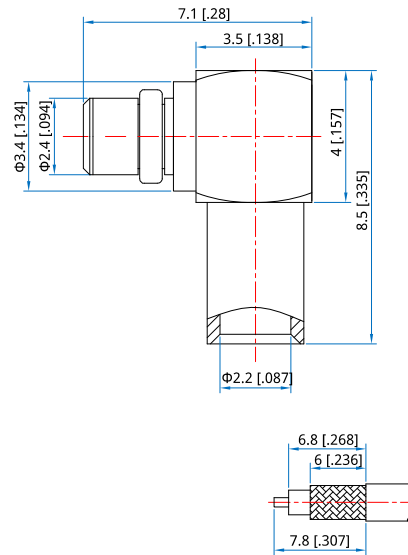
RF Connector: MMCX male right angle  
Mating Cable: QH280, QE086, QD086, RG316  
Outer Conductor: Brass

### How To Order

**QCX-MRB-086-1**

Customization is available upon request.

### Outline Drawings



Unit: mm [in]

Tolerance:  $\pm 0.2\text{mm}$  [ $\pm 0.008\text{in}$ ]